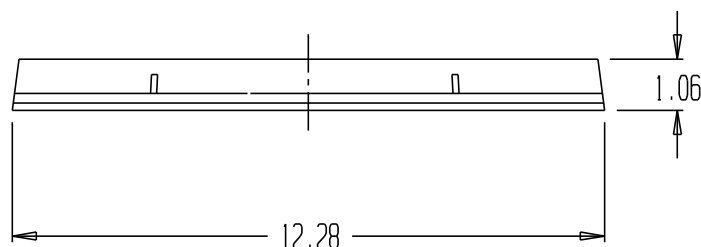
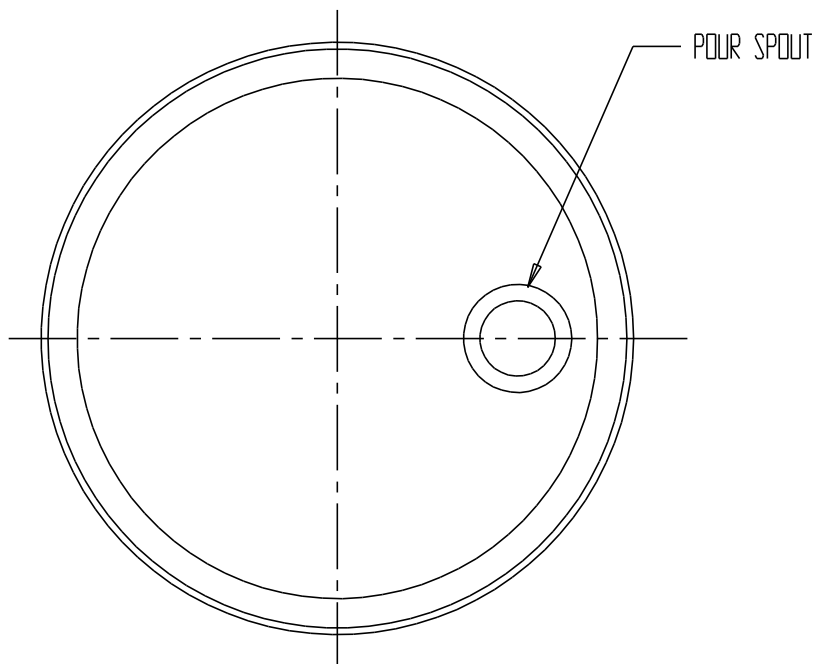


# Round Plastic Lid with Spout (5 gallon) - LID-UN-54-PWS



PRODUCTION WILL START UPON RECEIPT OF SIGNED APPROVAL DRAWING

\*\*SPECIAL UNITS ARE NON-RETURNABLE  
\*AVAILABLE AT ADDITIONAL COSTS

All graphics provided are for reference only.  
If certain dimensions are critical please verify those dimensions with your salesperson

## STANDARD FEATURES

MODEL NUMBER: LID-UN-54-PWS  
 FITS 5 GALLON PLASTIC PAILS  
 INCLUDES POUR SPOUT  
 MATERIAL: HIGH DENSITY POLYETHYLENE (H.D.P.E.)  
 COLOR: WHITE  
 WIDTH AT WIDEST POINT: 12.13"  
 OVERALL HEIGHT: 1.33"  
 MINIMUM THICKNESS: 90 mil  
 UN LISTED: UN1H2 / Y1.5 / 50

FOR INTERNAL USE ONLY PROJECT SIGN OFF		A P P R O V A L  I, THE UNDERSIGNED, AGREE THAT THE PRODUCT AS REPRESENTED SATISFIES DESIGN & DIMENSION REQUIREMENTS. I ALSO ACKNOWLEDGE MY DUTY TO CONFIRM PRODUCT & INSTALLATION COMPLIANCE WITH ALL APPLICABLE FEDERAL, STATE AND LOCAL REGULATIONS & STANDARDS. <b>ANY MODIFIED UNITS ARE NON-RETURNABLE</b> ( ) As drawn ( ) As marked Signed: _____ Date: _____ Printed Name: _____ LEAD TIME WILL START UPON RECEIPT OF SIGNED APPROVAL DRAWING
SALES		
ENG		
FAB.		
POWER		

DISTRIBUTOR'S NAME: <b>VESTIL MANUFACTURING</b>		P.O.#: -
DRAWN BY: -		W.O.#: -
DATE: -	SCALE: 1:4	SALES: -
REFERENCE: -	QUOTE #: -	DRWG./FILE NAME: LID-UN-54-PWS
QUOTED LEADTIME: -		